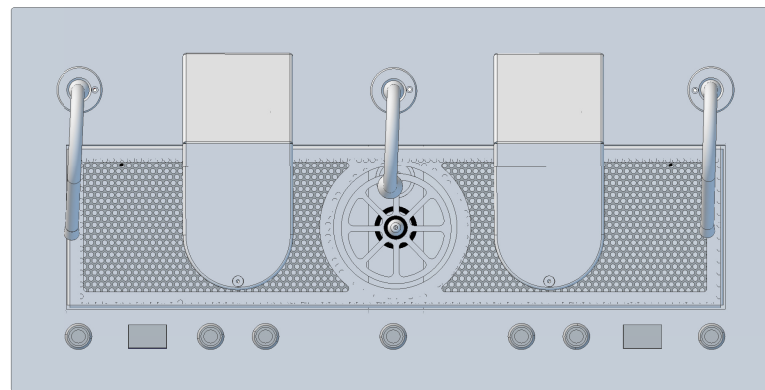


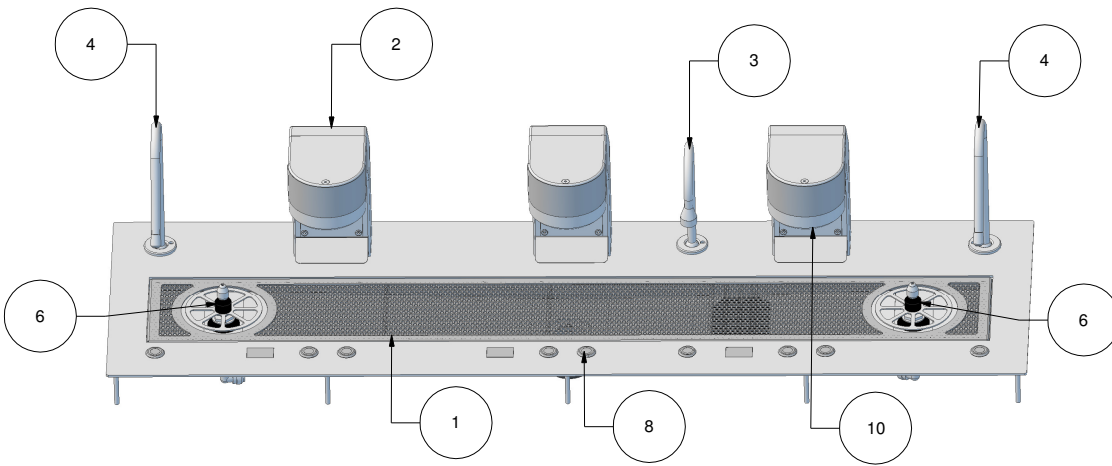


UNDER COUNTER ESPRESSO MACHINE

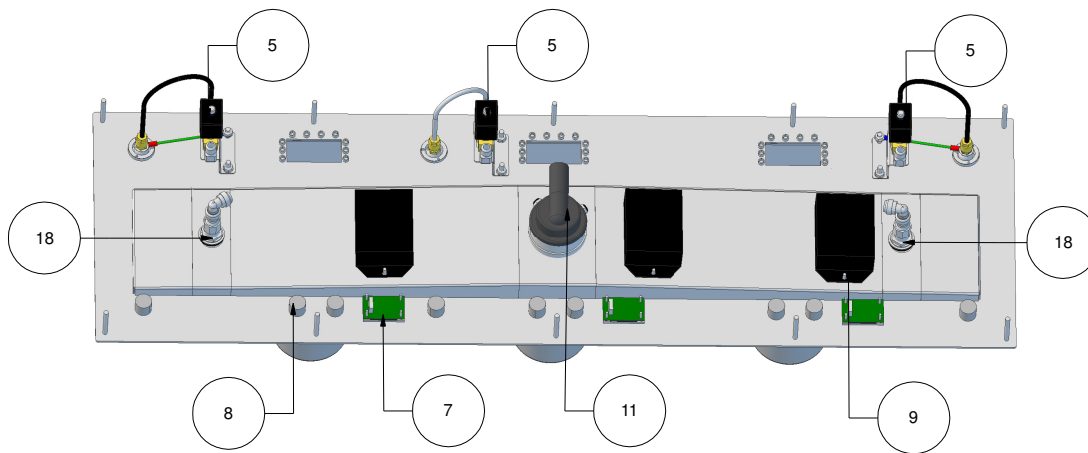
PARTS DIAGRAM



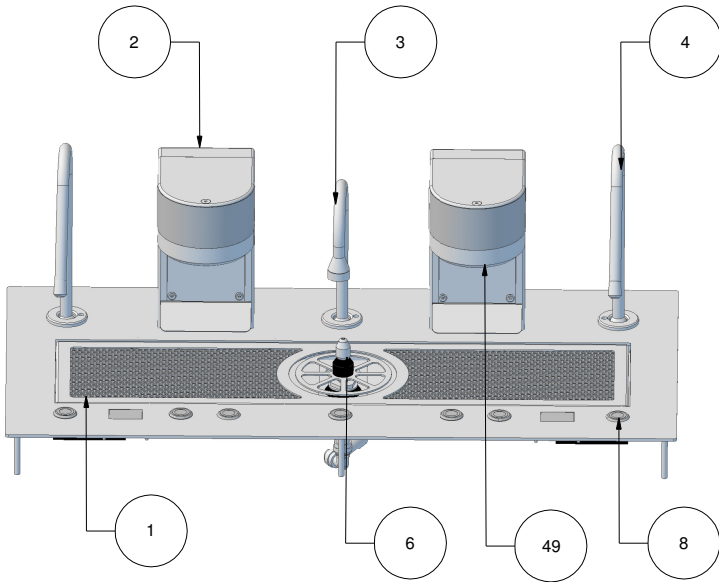
VERSION 3 2018



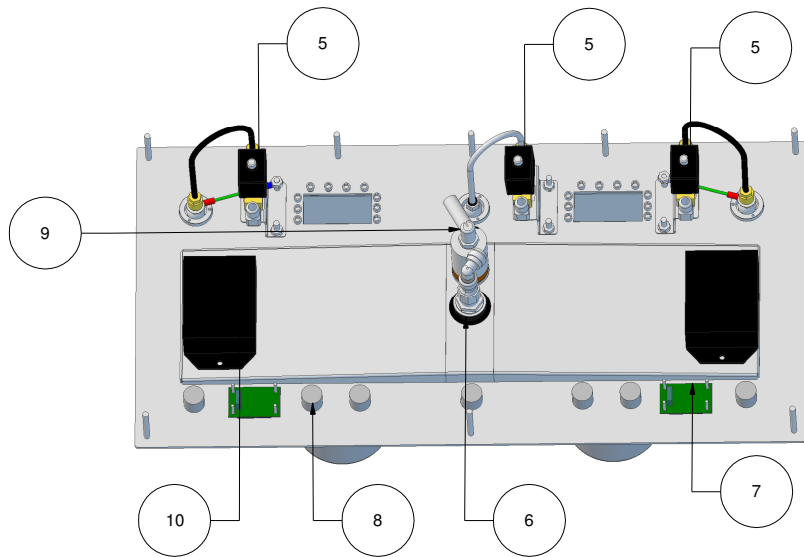
UCEM 3 GROUP UI SECTION VIEW



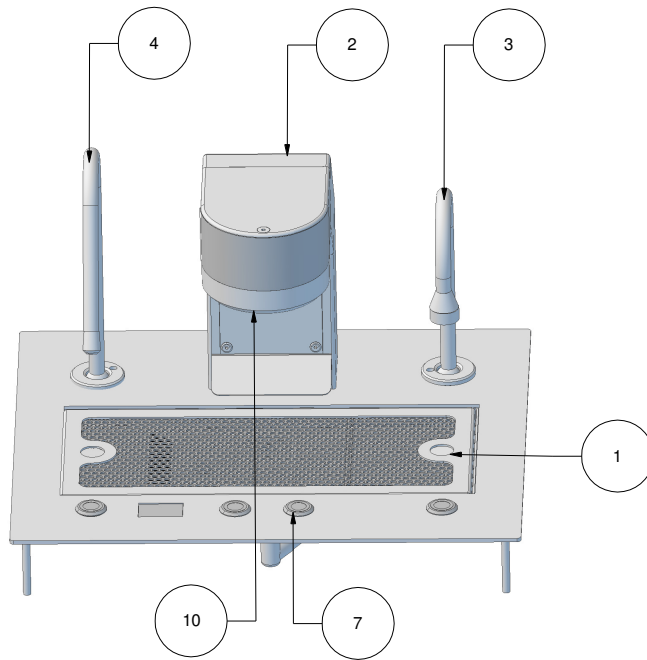
Item Number	Section	Part Name
1	UI-1.01	Drip Tray
2	UI-1.02	Group Upright
3	UI-1.03	Hot Water Wand
4	UI-1.04	Steam Wand
5	UI-1.05	Steam and Hot Water Valve
6	UI-1.06	Pitcher Rinser
7	UI-1.07	Display
8	UI-1.08	Activation Switch
9	UI-1.10	UI Board
10	UI-1.11	Group Head
11	UI-1.12	Drain 3 Group



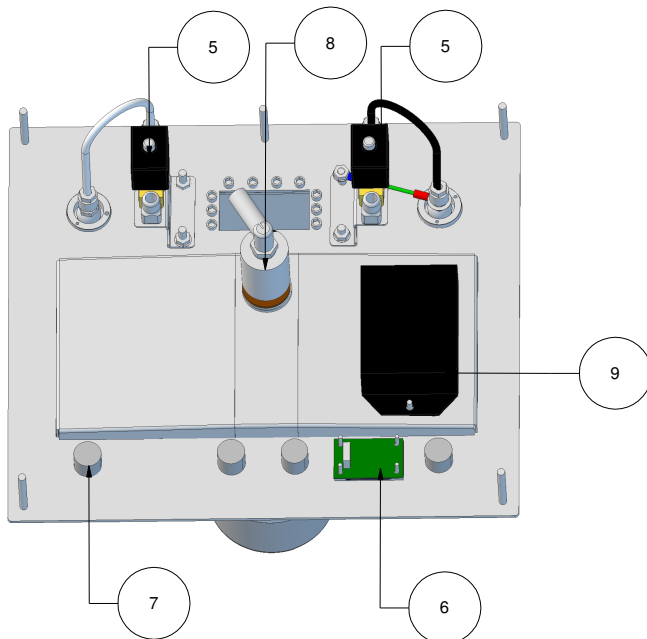
UCEM 2 GROUP UI SECTION VIEW



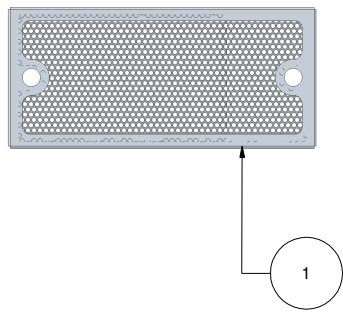
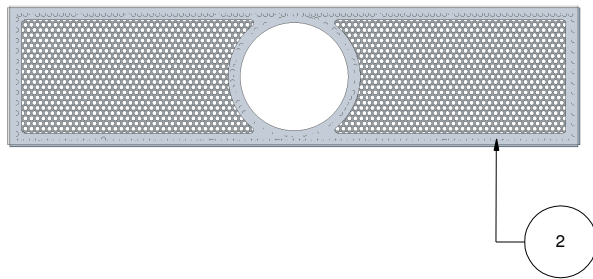
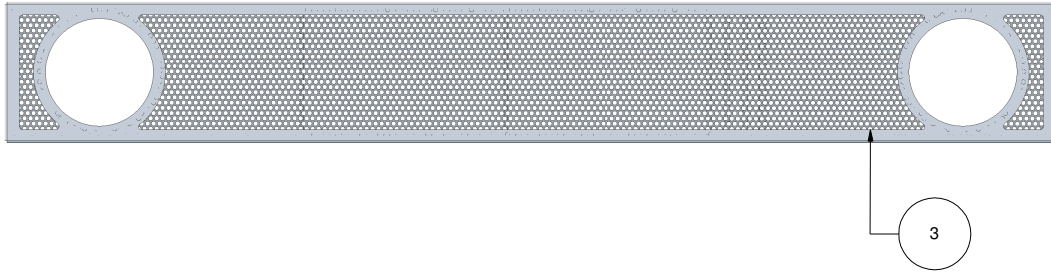
Item Number	Section	Part Name
1	UI-1.01	Drip Tray
2	UI-1.02	Group Upright
3	UI-1.03	Hot Water Wand
4	UI-1.04	Steam Wand
5	UI-1.05	Steam and Hot Water Valve
6	UI-1.06	Pitcher Rinser
7	UI-1.07	Display
8	UI-1.08	Activation Switch
9	UI-1.09	Drain 1 and 2 group
10	UI-1.10	UI Board
11	UI-1.11	Group Head



UCCEM 1 GROUP UI SECTION VIEW



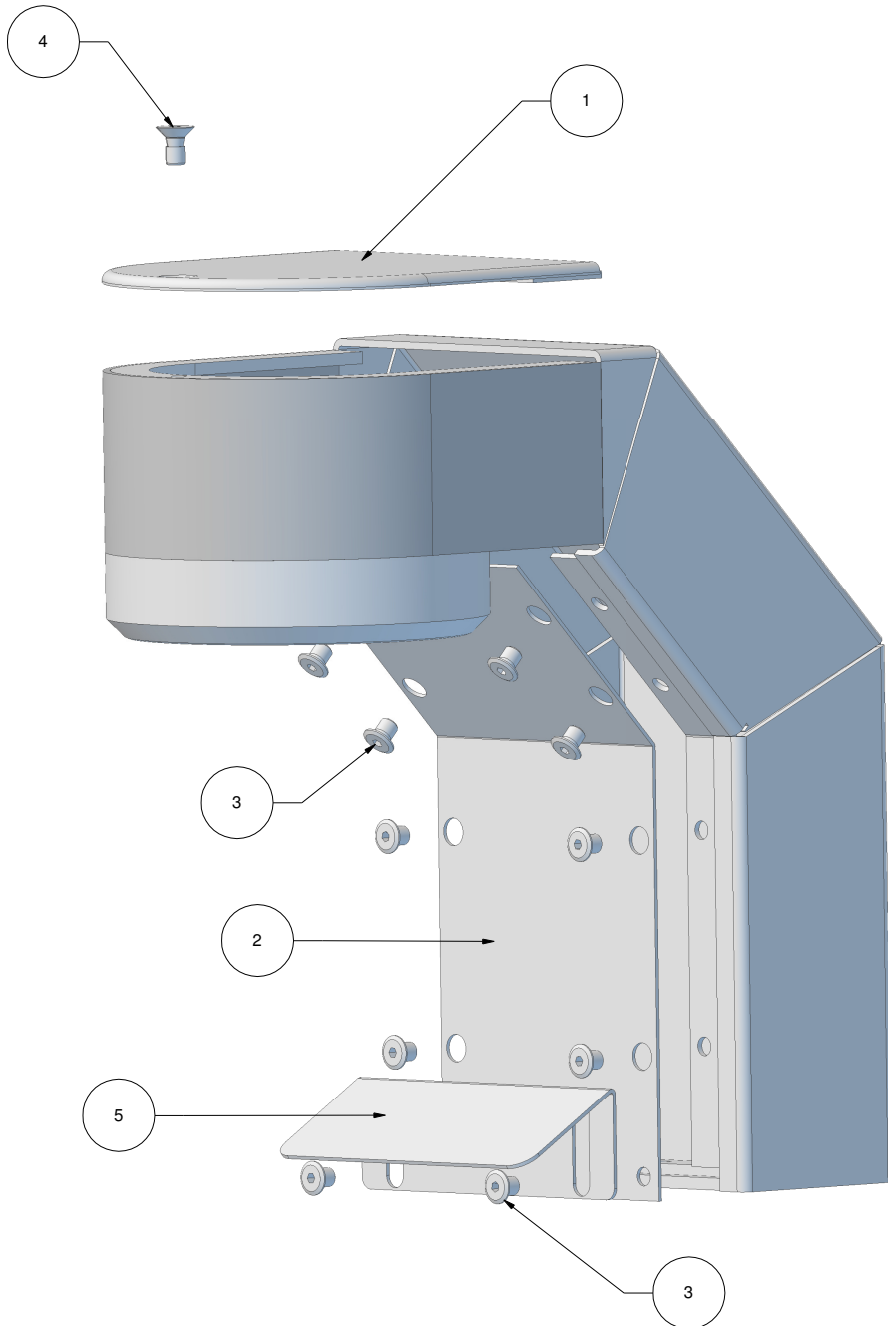
Item Number	Section	Part Name
1	UI-1.01	Drip Tray
2	UI-1.02	Group Upright
3	UI-1.03	Hot Water Wand
4	UI-1.04	Steam Wand
5	UI-1.05	Steam and Hot Water Valve
6	UI-1.07	Display
7	UI-1.08	Activation Switch
8	UI-1.09	Drain 1 and 2 Group
9	UI-1.10	UI Board
10	UI-1.11	Group Head



UCEM DRIP TRAYS

Item Number	Part Number	Part Name
1	MV-1004-UC1	1 Group Drip Tray
2	MV-1004-UC2	2 Group Drip Tray
3	MV-1004-UC3	3 Group Drip Tray

Standard is #4 SS. For custom color please email parts@mavamespresso.com



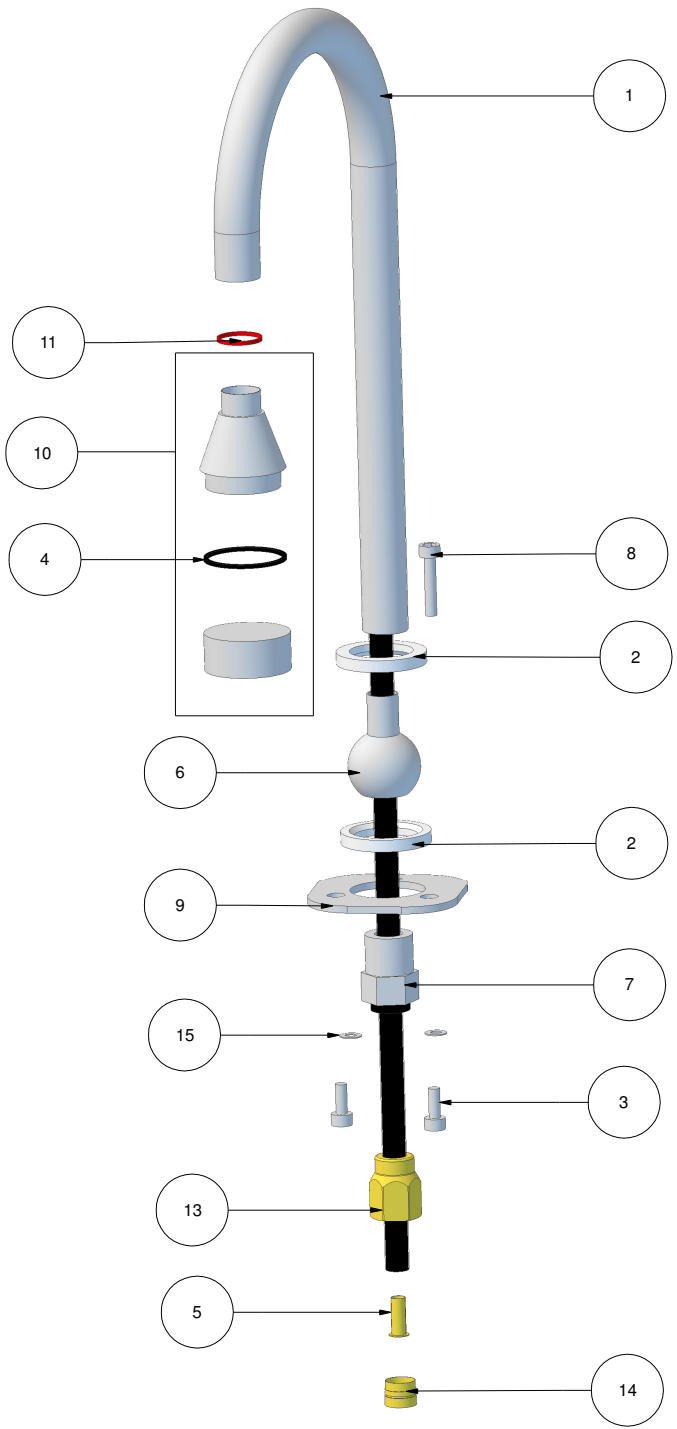
UCEM GROUP UPRIGHT

Item Number	Part Number	Part Name
1	MV-1259	Group Upright Top Cover
2	MV-1003	Group Upright Front Cover
3	MV-1260	M5 Group Cover Screw
4	MV-1261	M5 Top Cover Screw
5	MV-3001	Shot Mirror

Standard is #4 SS. For custom color please email parts@mavamespresso.com



UCEM HOT WATER WAND

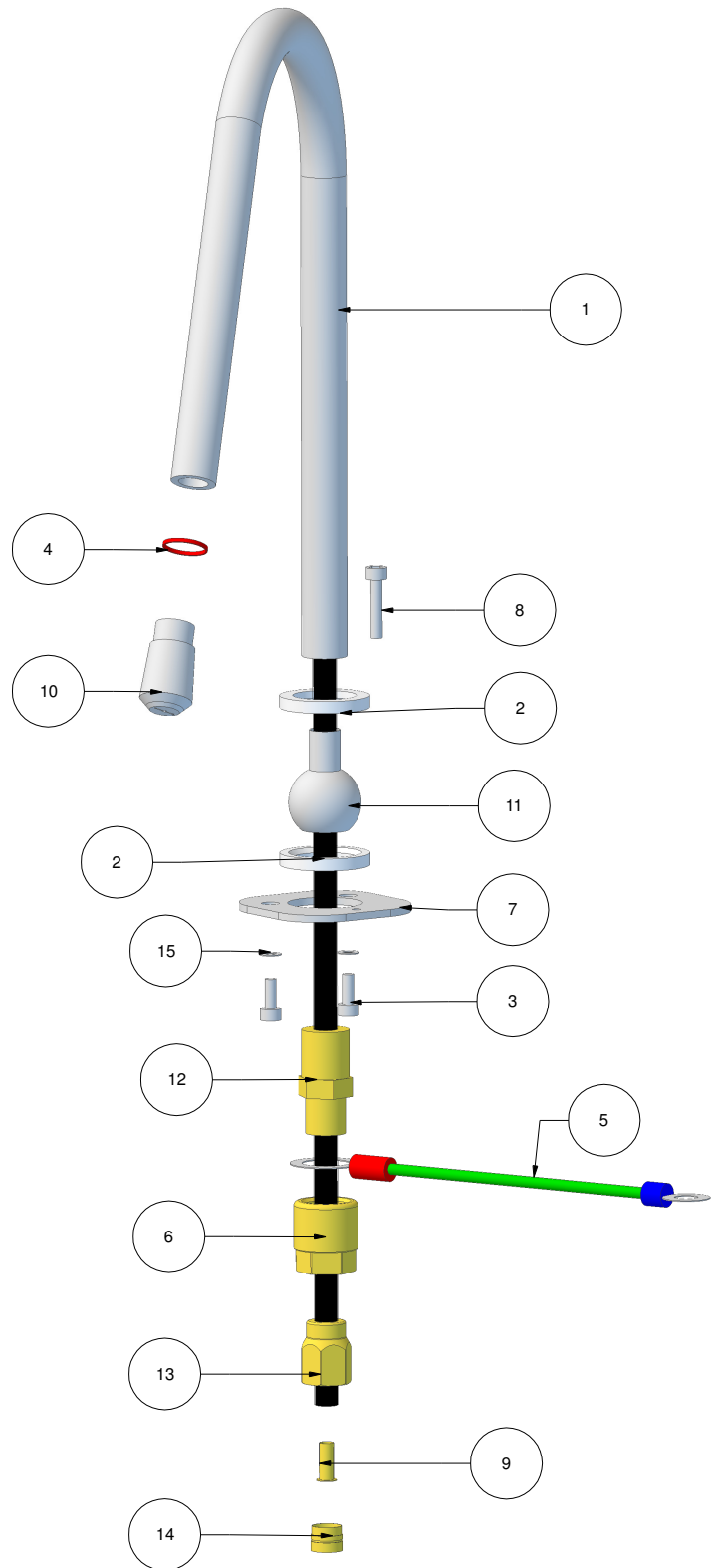


Item Number	Part Number	Part Name
1	MV-1014	Hot Water Wand Complete (Includes All Parts)
2	MV-1024	Steam Hot Water Bushing
3	HW-3mm x 8mm SH	3mm x 8mm Steam Hot Water Mounting Screw
4	MV-1110	Hot Water Diffuser O-ring
5	MV-1203	6mm Tube Insert
6	MV-1023	Steam and Hot Water Wand Ball
7	MV-1038	Hot water Push In Fitting
8	HW-3mm x 16mm SH	3mm x 16mm Steam Hot Water Mounting Screw
9	MV-1025	Steam / Hot Water Mounting Plate
10	MV-1027	Hot Water Bell
11	MV-1111	Steam Wand / Hot Water Tip O-ring
13	MV-1082	1/8 Bsp Union Nut
14	MV-1171	6mm Ferrule
15	HW-3mm LW	3mm lock washer

Standard is #4 SS. For custom color please email parts@mavamespresso.com

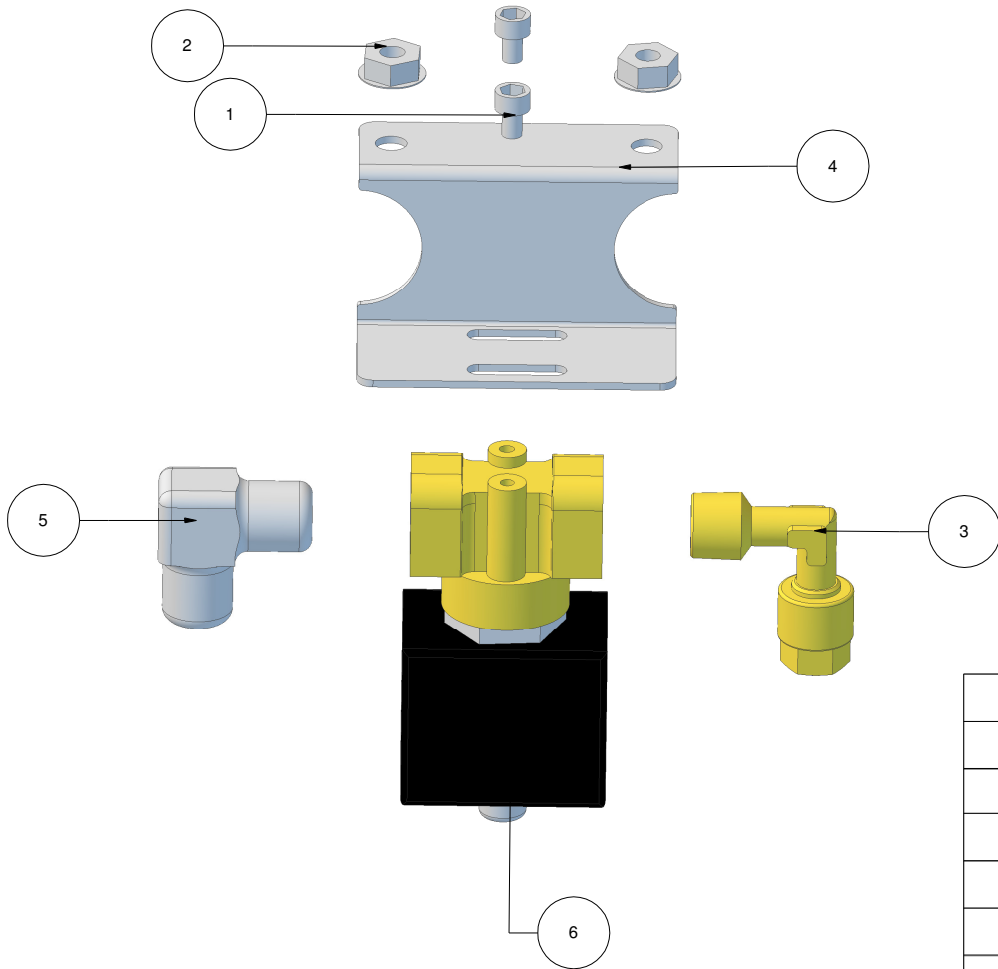


UCEM STEAM WAND



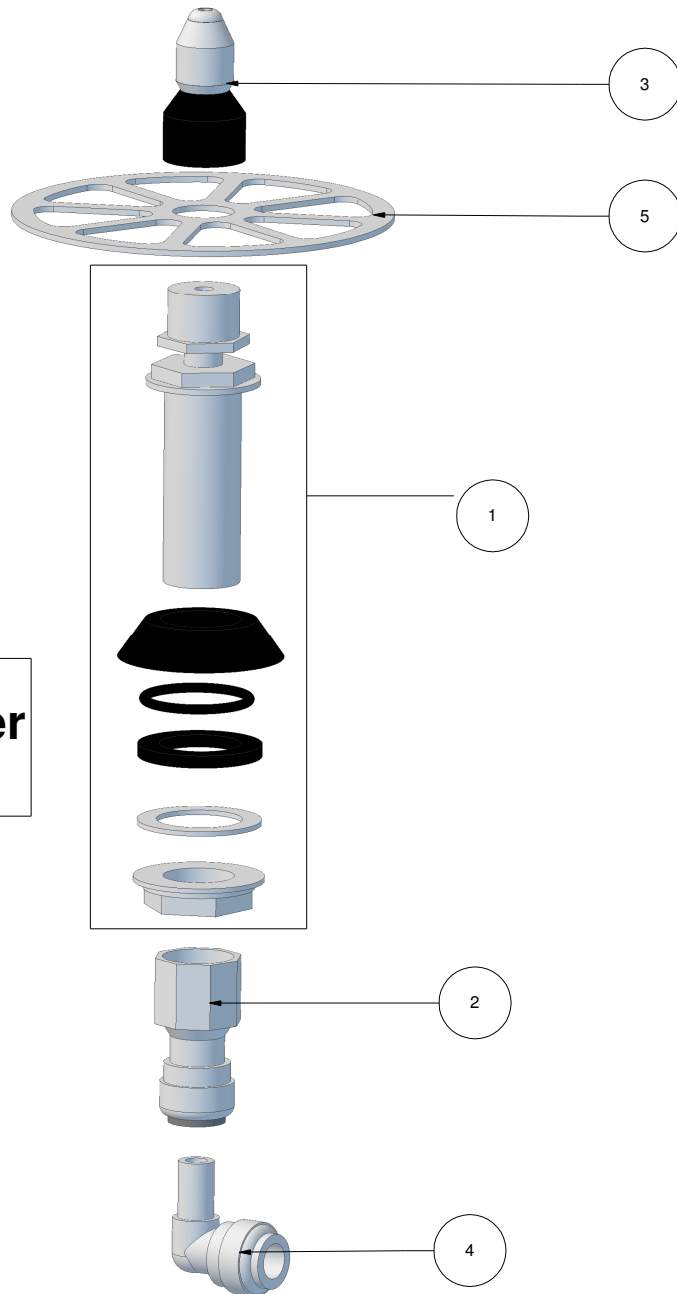
Item Number	Part Number	Part Name
1	MV-1013	Steam Wand Complete (includes all parts)
2	MV-1024	Steam / Hot Water Compression Bushings
3	HW-3mm x 8mm SS	3mm x 8mm Socket Screw
4	MV-1111	Steam Wand / Hot Water Tip O-ring
5	MV-1194	Ground Strap
6	MV-1204	1/4 x 6mm Union Nut
7	MV-1025	Steam / Hot Water Mounting Plate
8	HW-3mm x 16mm SS	3mm x 16mm Socket Screw
9	MV-1203	6mm Tube Insert
10	MV-1026	MAVAM Steam Wand Tip
11	MV-1023	Wand Ball
12	MV-1069	Straight 1/4 Fitting
13	MV-1082	1/8 Bsp Union Nut
14	MV-1171	6mm Ferrule
15	HW-3mm LW	3mm lock washer

Standard is #4 SS. For custom color please email parts@mavamespresso.com



UCEM STEAM AND HOT WATER VALVE

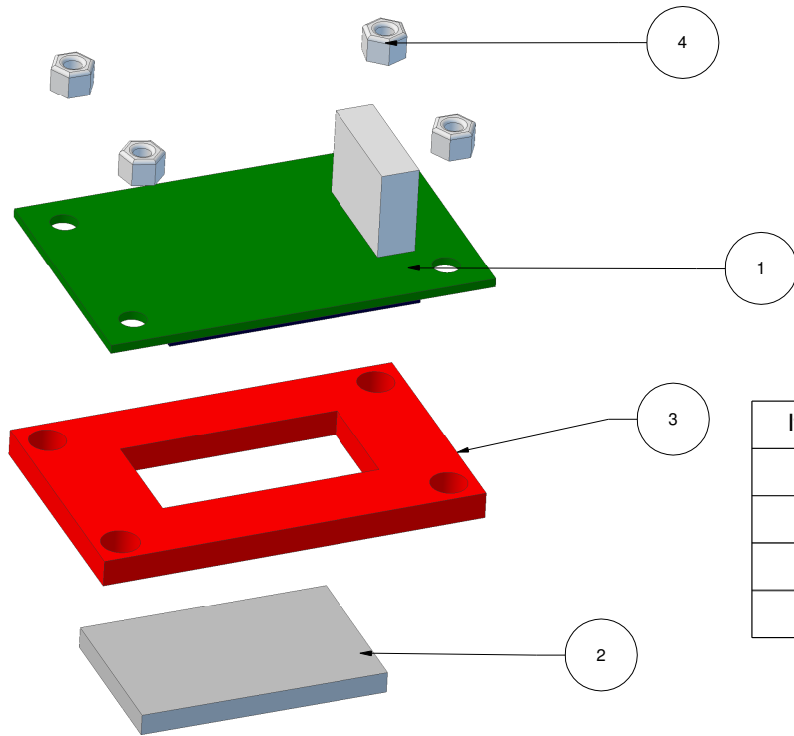
Item Number	Part Number	Part Name
1	HW 4mm x 0.7mm Socket	4mm x 6mm Screw
2	HW 6mm x 1.0mm Nut	6mm Nut
3	MV-1162	1/4 x 1/8 Elbow Fitting
4	MV-1232	Vertical Steam Valve Mounting Bracket
5	MV-1160	1/4 JIC Elbow
6	MV-1164	Steam, Autofill and Hot Water Valve 24v DC



UCEM PITCHER RINSER

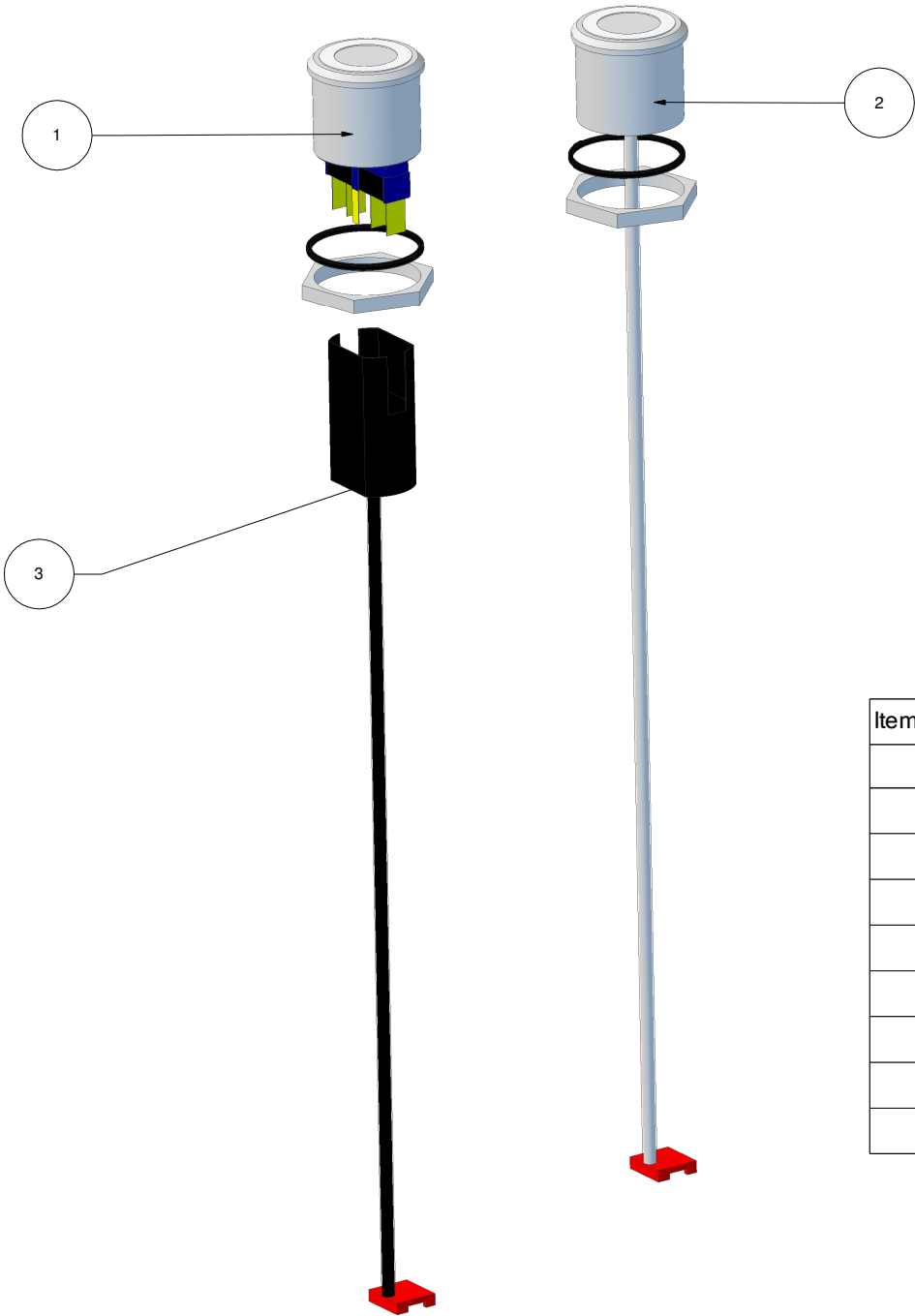
**Pitcher Rinser
Repair Kit**

Item Number	Part Number	Part Name
1	MV-1017	Pitcher Rinser (Complete)
2	MV-1033	JG Pitcher Rinser Fitting
3	MV-1247	Spin Jet
4	MV-1196	JG Pitcher Rinser Elbow
5	MV-1018	Pitcher Rinser Star
6	MV-1258	Pitcher Rinser Repair Kit



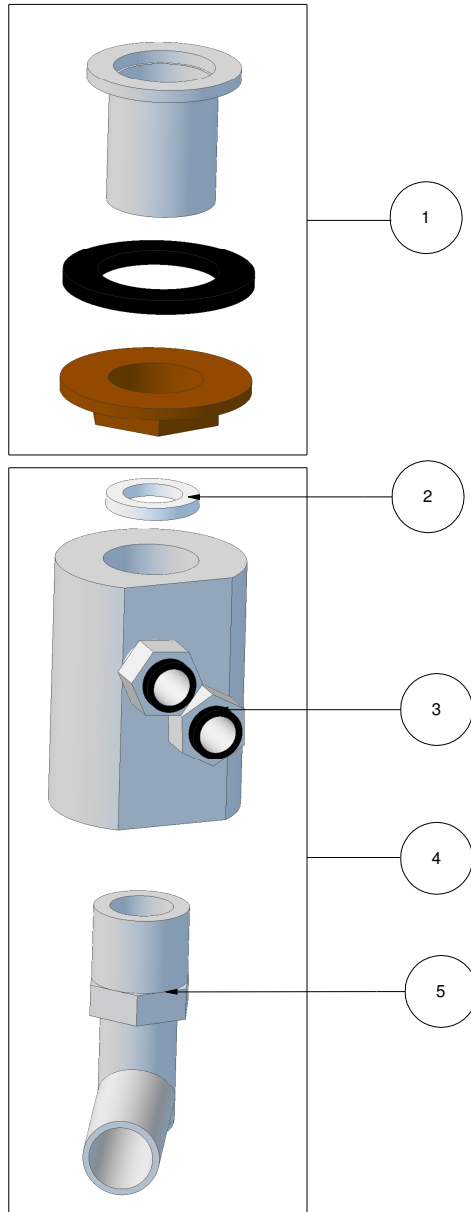
UCEM UI DISPLAY

Item Number	Part Number	Part Name
1	MV-1088	Display MAVAM
2	MV-DISGLASS	Display Glass
3	MV-1248	Display Seal
4	HW-3mm x 0.5 Nut	3mm Bolt



UCEM ACTIVATION SWITCHES

Item Number	Part Number	Part Name
1	MV-1016-SS	22mm Push Button Switch SS
1	MV-1016-CO	22mm Push Button Switch Copper
1	MV-1016-BS	22mm Push Button Switch Brass Satin
1	MV-1016-BR	22mm Push Button Switch Brass Polished
3	MV-1193	Button Harness
2	MV-1016-PZ-SS	22mm Piezo Switch SS
2	MV-1016-PZ-CO	22mm Piezo Switch Copper
2	MV-1016-PZ-BS	22mm Piezo Switch Brass Satin
2	MV-1016-PZ-BP	22mm Piezo Switch Brass Polished

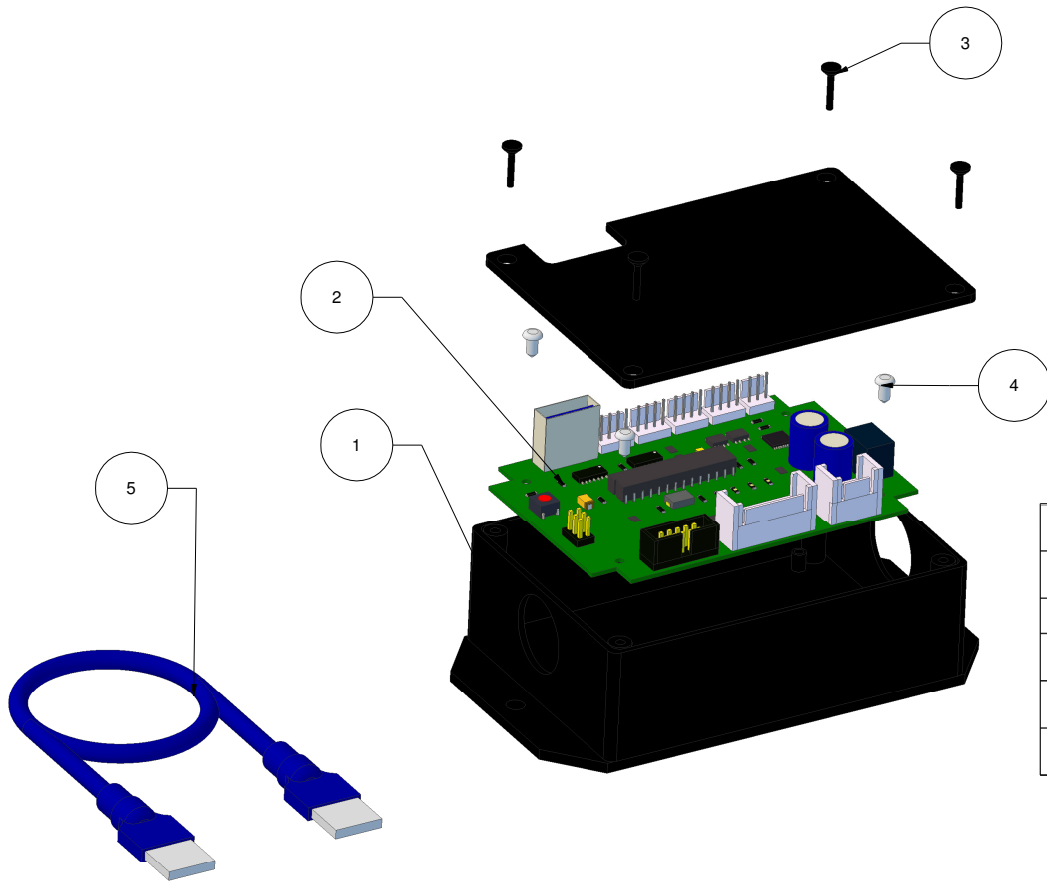


UCEM UI 1 and 2 GROUP DRAIN

Item Number	Part Number	Part Name
1	MV-1015	Drain
2	MV-1250	Drain Manifold Upper Gasket
3	MV-1038	Steam hot water JG fitting
4	MV-1019	UC 1 and 2 Group Drain Manifold
5	MV-1207	Drain Elbow



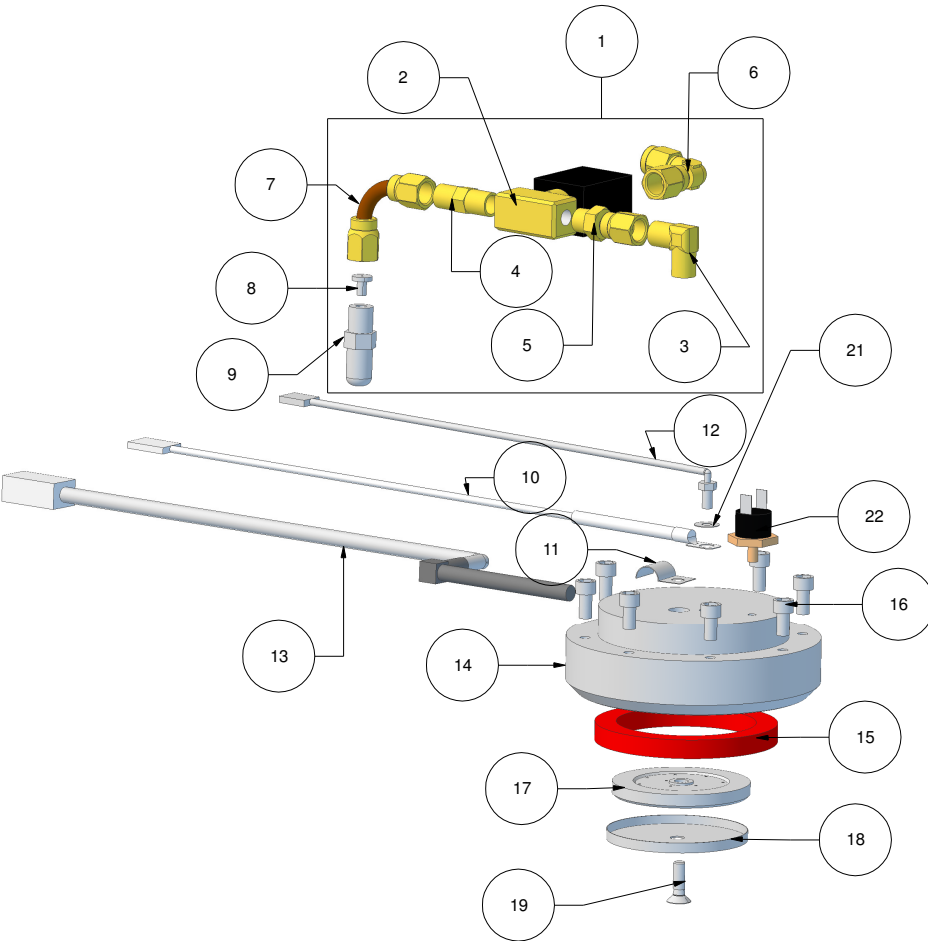
UI BOARD



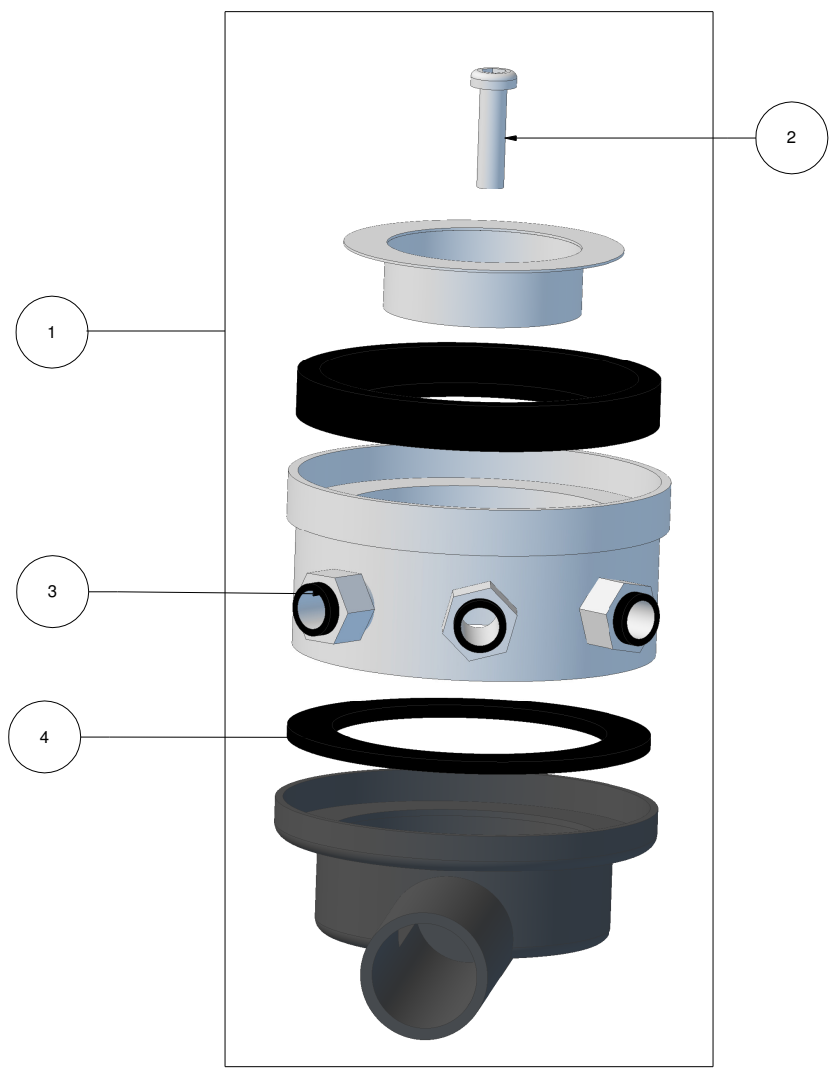
Item Number	Part Number	Part Name
1	MV-1197	UI Board Case
2	MV-1089	UI PCB
3	MV-1198	Board Case Cover Screw
4	MV-1199	UI Board Screw
5	MV-1090	USB 2.0



UCEM UI GROUP HEAD



Item Number	Part Number	Part Name
1	MV-1006C	Brew Valve Complete
2	MV-1006	Brew Valve 24vDC
3	MV-1010	1/8 Brew Valve Elbow
4	MV-1035	Straight 1/8 Fitting
5	MV-1012	1/8 Swivel Fitting
6	MV-1020N	Brew Valve Exhaust Fitting
7	MV-1036	Brew Valve Pipe
8	MV-1028	.6mm Flow Restrictor
9	MV-1097	1/4 JIC Fitting to 1/8 BSPT
10	MV-1008	Surface Mount RTD
11	MV-1249	Cartridge Heater Clamp
12	MV-1008-M4	M4 RTD
13	MV-1007	Cartridge Heater 200w 220V
14	MV-1005	MAVAM Group Head
15	MV-1030	Mavam Group Gasket
16	MV-1032	Group Mounting Screw
17	MV-1029	Group Diffuser
18	MV-1031	Group Screen
19	MV-1032	Group Screw
21	HW-4mm LW	4mm Lock Washer
22	MV-1048	135c Resetable High Limit

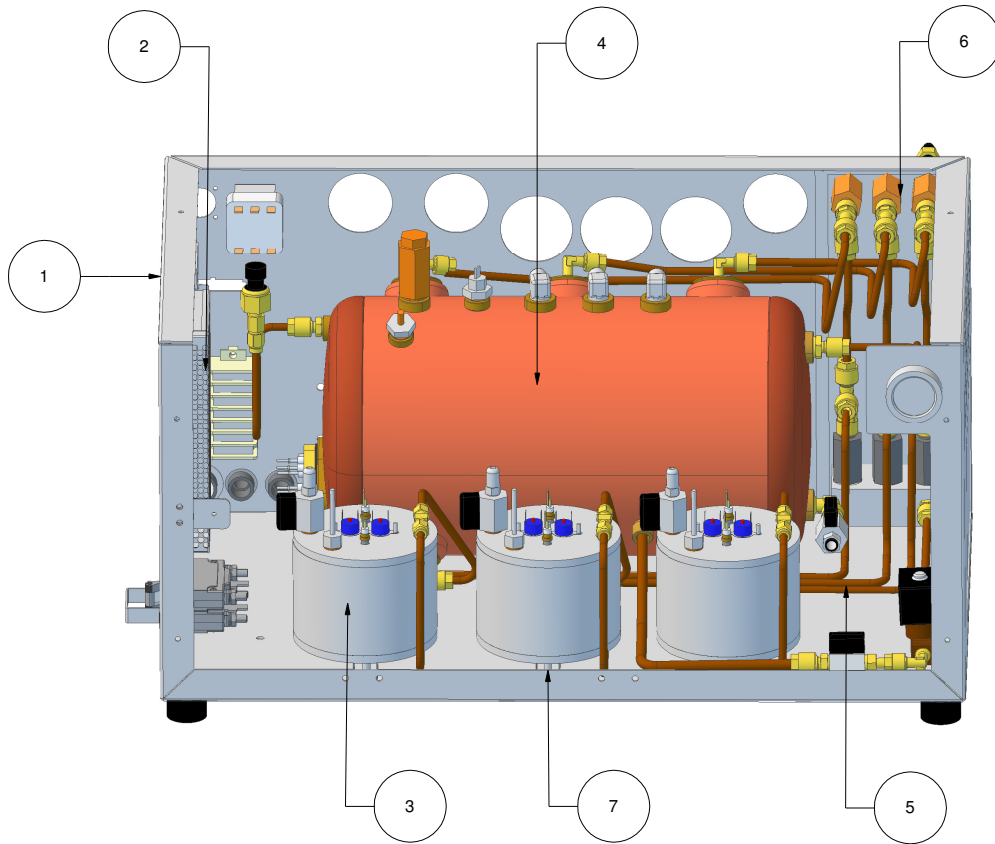


UCEM 3 GROUP DRAIN

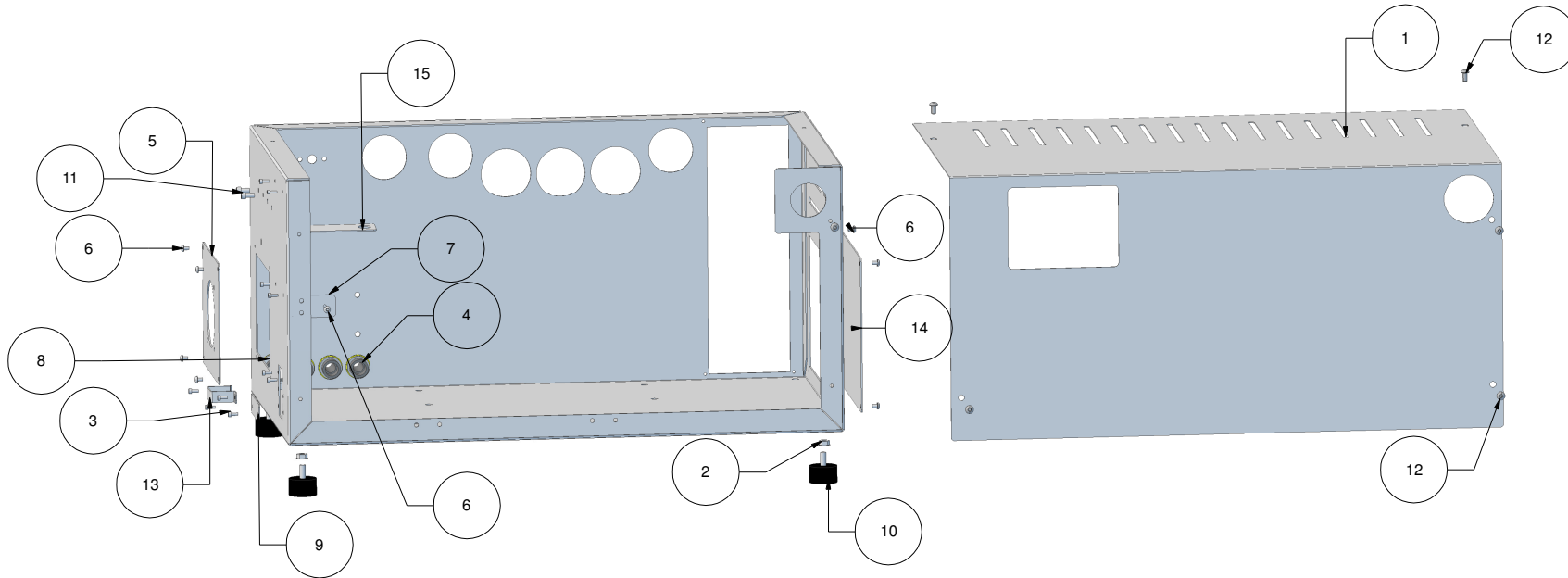
Item Number	Part Number	Part Name
1	MV-1251	3 group Drain Complete
2	MV-1252	3 group Drain Screw
3	MV-1038	Steam hot water JG fitting
4	MV-1253	3 Group Drain Lower Seal



UCEM 1,2 and 3 BOILER UNIT MAIN DIAGRAM



Item Number	Section	Part Name
1	BU-2.01	Panels 1,2 and 3 Group
2	BU-2.02	Electrical 1,2 and 3 Group
3	BU-2.03	Brew Boiler 1,2 and 3 Group
4	BU-2.04	3 Group Steam Boiler
4	BU-2.05	2 Group Steam Boiler
4	BU-2.06	1 Group Steam Boiler
5	BU-2.07	3 Group Pipes
5	BU-2.08	2 Group Pipes
5	BU-2.09	1 Group Pipes
6	BU-2.10	Hydraulic Manifold 1,2 and 3
7	BU-2.11	1,2 and 3 Group Relay Board



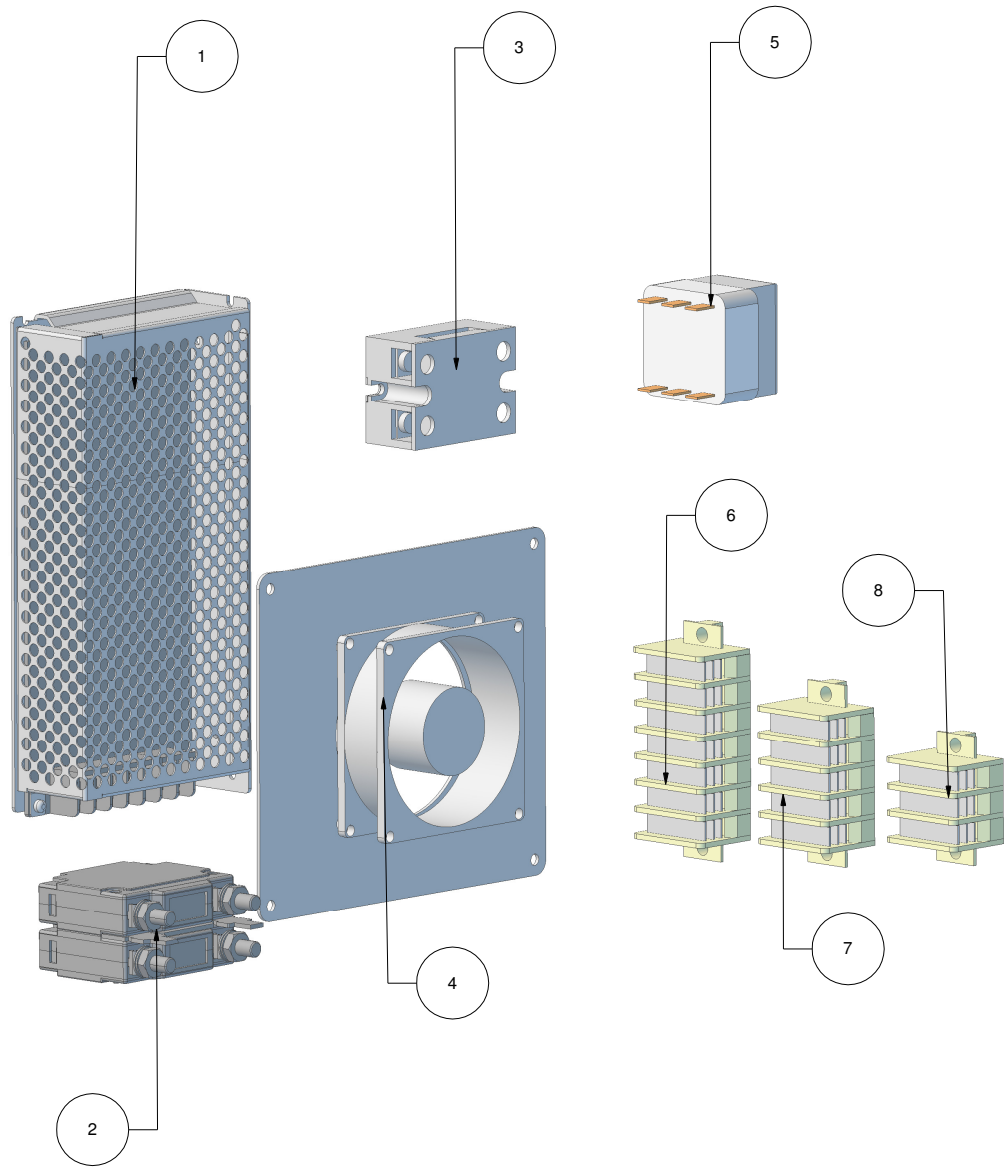
Item Number	Part Number	Part Name
1	MV-1042-3	UC 3 Group Top Cover
1	MV-1042	UC 2 Group Top Cover
1	MV-1042-1	UC 1 Group Top Cover
2	HW-1/4-20 Nut	1/4-20 Nut for Feet
3	HW- 3mm x 8mm	M3 x 8mm Mounting Screws
4	MV-1071-1/2	1/2 Strain Relief
5	MV-3004	Heating Element Cover
6	HW-4mm x 6mm BH	M4 Button Head Screw
7	MV-1232	Relay Board Mounting Bracket
8	MV-1071	3/4 Strain Relief
9	MV-1233	Breaker Switch Blank
10	MV-1084	Feet
11	HW-5mm x 8mm SH	M5 x 10mm Relay Screw
12	MV-1260	M5 Button Head Screw
13	MV-1234	Breaker Cover
14	MV-1202	Access Panel
15	MV-1081	P-Stat Holder



UCEM 1,2 and 3 GROUP BU PANELS



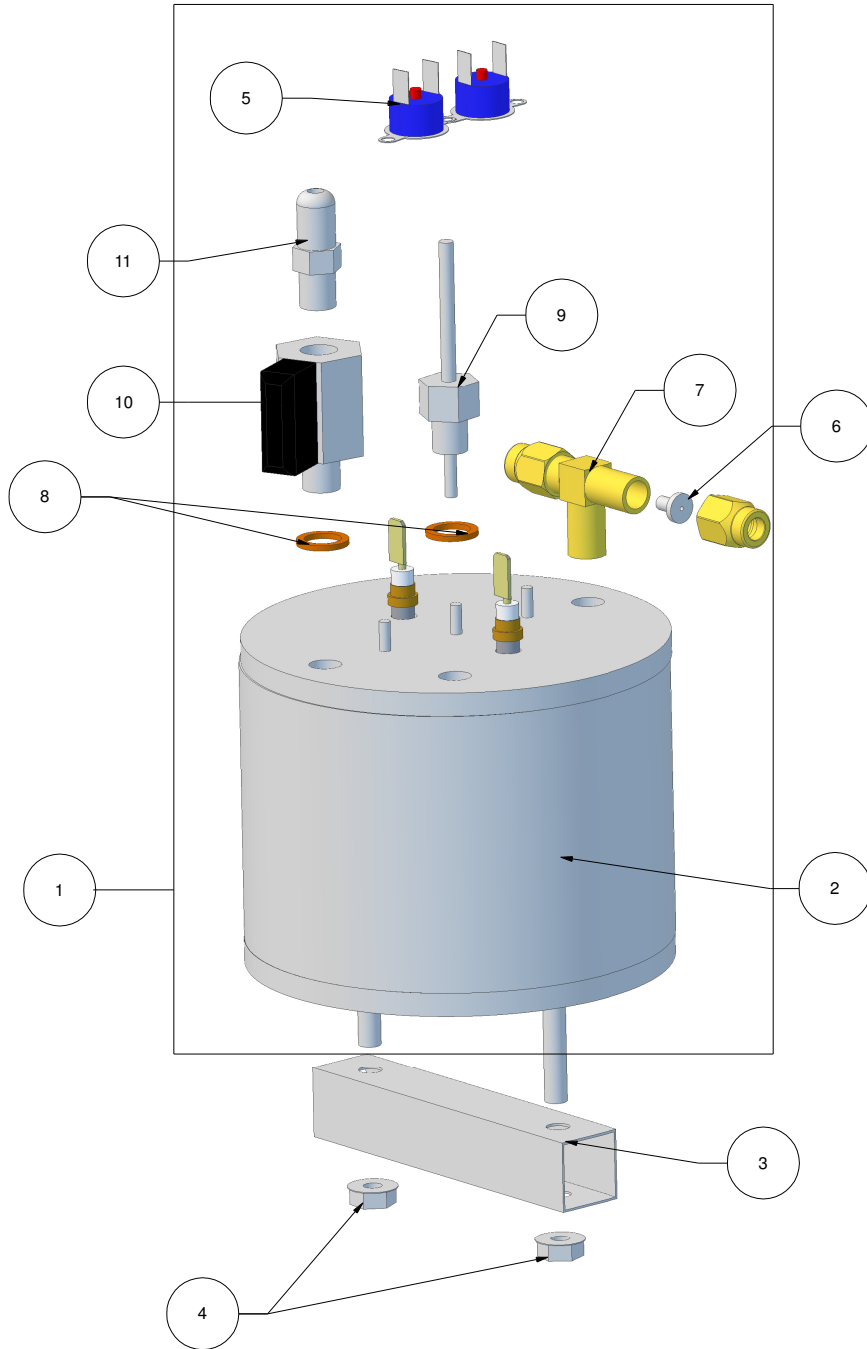
UCEM 1,2 and 3 GROUP BU ELECTRICAL



Item Number	Part Number	Part Name
1	MV-1072	24v DC Power Supply
2	MV-1157	Breaker Switch 40amp
2	MV-1208	Breaker Switch 40amp 3 Phase
3	MV-1206	Solid State Relay Steam Boiler
4	MV-1192	24v Cooling Fan
5	MV-1056	High Limit 3 Pole Steam Boiler
6	MV-1060-3	3 Group Pump Block
7	MV-1060-2	2 Group Pump Block
8	MV-1060-1	1 Group Pump Block



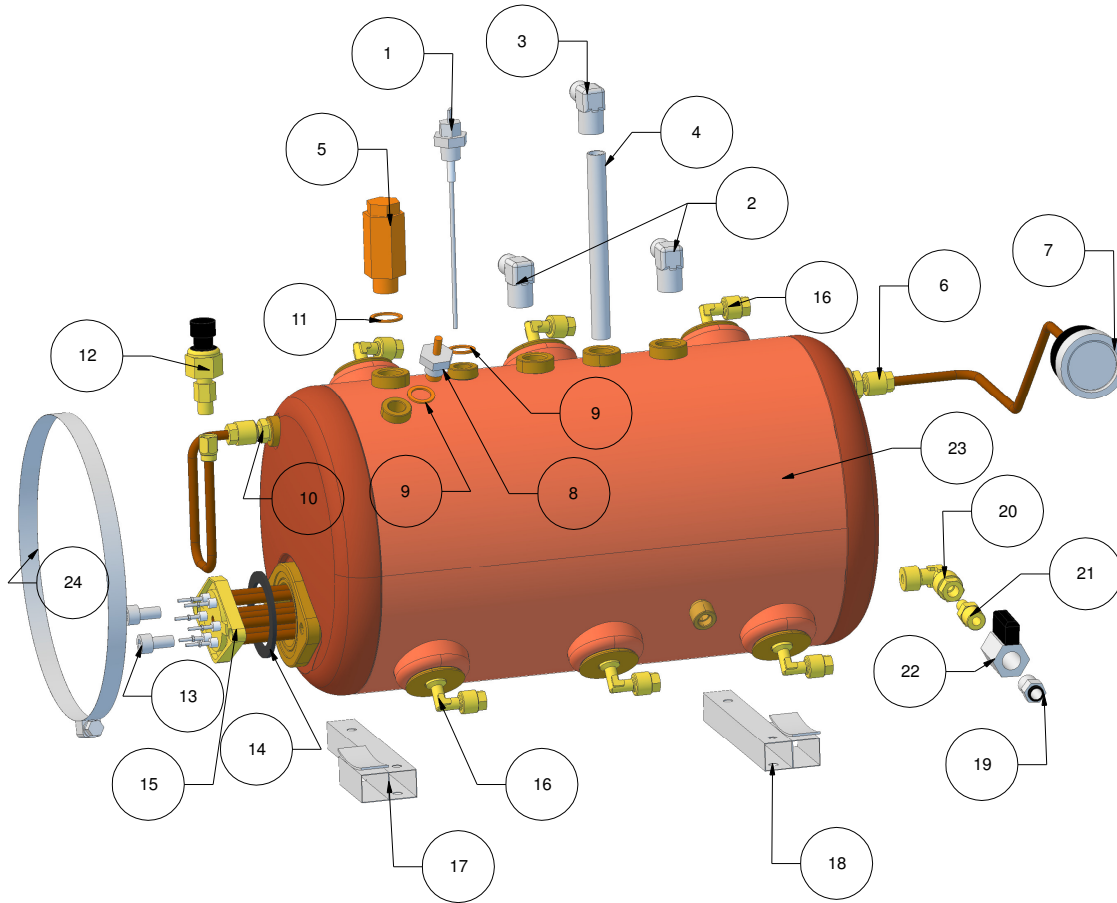
UCEM BREW BOILER PARTS DIAGRAM



Item Number	Part Number	Part Name
1	MV-1254	Brew Boiler Complete
2	MV-1045	Brew Boiler
3	MV-1169	Brew Boiler Mounting Bracket
4	HW- 6mm x 1.0mm Nut	6mm Nut
5	MV-1098	135c High Limit Resettable
6	MV-1096	1.0mm Jet
7	MV-1065	1/8 Bsp Tee
8	MV-1058	1/8 Copper Washer
9	MV-1059	1/8 Bsp RTD PT100
10	MV-1095	1/8 Shutoff Valve
11	MV-1097	1/8 x 1/4 JIC Fitting



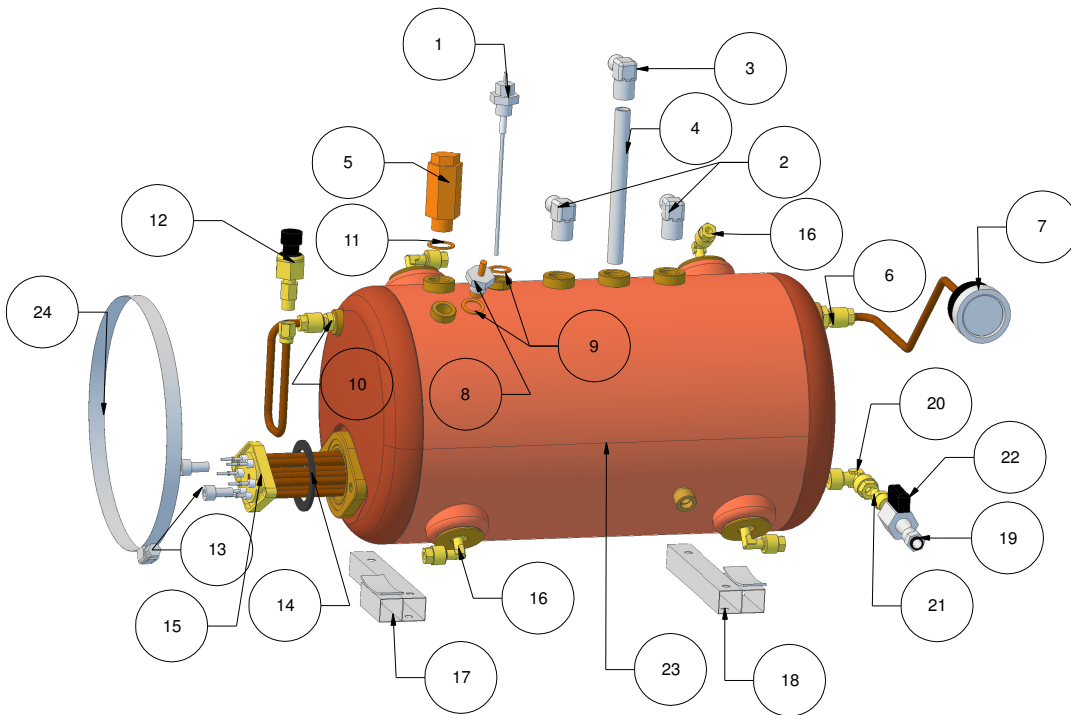
UCEM 3 GROUP STEAM BOILER



Item Number	Part Number	Part Name
1	MV-1049	Autofill probe
2	MV-1255	3/8 JIC Steam Fitting
3	MV-1047	3/8 JIC Hot Water Fitting
4	MV-1091	Hot Water Dip Tube
5	MV-1051	1.8 Bar Pressure Relief Valve
6	MV-1093	3/8 x 1/8 Straight Serto Fitting
7	MV-1087	Steam Boiler Gauge
8	MV-1046	Purge Valve
9	MV-1063	1/4 Copper Washer
10	MV-1070	1/4 x 1/8 Straight Serto Fitting
11	MV-1050	3/8 Copper Washer
12	MV-1243	Pressure Transducer
13	HW-8mm x 1.25mm x 16mm	Heating Element Bolts
14	MV-1079	Heating Element Gasket
15	MV-1078	4000W Heating Element
16	MV-1064	1/4 x 1/8 Elbow Serto Fitting
17	MV-1190	Left Steam Boiler Mounting
18	MV-1191	Right Steam Boiler Mounting
19	MV-1038	1/4 x 6mm Push In Fitting
20	MV-1205	3/8 x 1/4 Elbow Serto Fitting
21	MV-1162	1/4 Swivel Serto Fitting
22	MV-1168	1/4 Shutoff Valve FF
23	MV-1044-3	3 Group Steam Boiler
24	MV-1083	Steam Boiler Hose Clamp



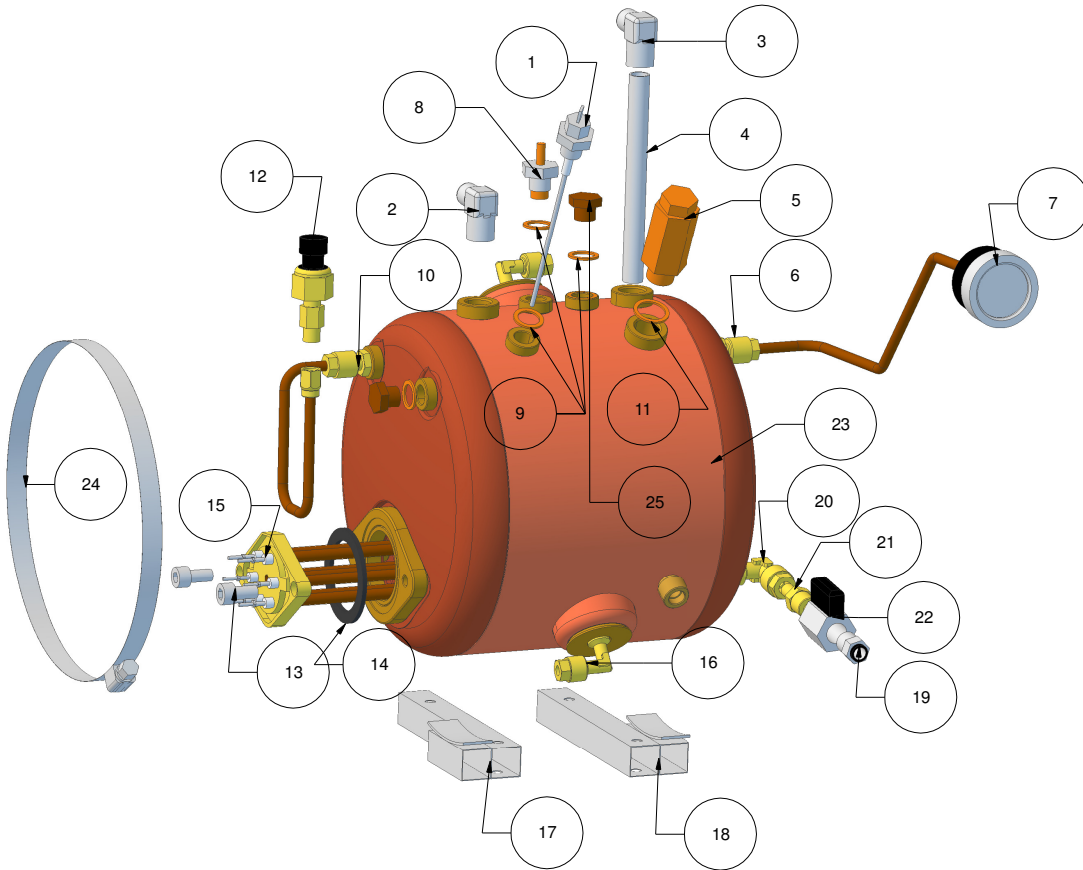
UCEM 2 GROUP STEAM BOILER



Item Number	Part Number	Part Name
1	MV-1049	Autofill Probe
2	MV-1255	3/8 JIC Steam Fitting
3	MV-1047	3/8 JIC Hot Water Fitting
4	MV-1091	Hot Water Dip Tube
5	MV-1051	1.8 Bar Pressure Relief Valve
6	MV-1093	3/8 x 1/8 Straight Serto Fitting
7	MV-1087	Steam Boiler Gauge
8	MV-1046	Purge Valve
9	MV-1063	1/4 Copper Washer
10	MV-1070	1/4 x 1/8 Straight Serto Fitting
11	MV-1050	3/8 Copper Washer
12	MV-1243	Pressure Transducer
13	HW-8mm x 1.25mm x 16mm	Heating Element Bolt
14	MV-1079	Heating Element Gasket
15	MV-1078	4000W Heating Element
16	MV-1064	1/4 x 1/8 Elbow Serto Fitting
17	MV-1090	Left Steam Boiler Mounting
18	MV-1091	Right Steam Boiler Mounting
19	MV-1038	1/4 x 6mm Push In Fitting
20	MV-1205	3/8 x 1/4 Elbow Serto Fitting
21	MV-1162	1/4 Swivel Serto Fitting
22	MV-1168	1/4 Shutoff Valve FF
23	MV-1044	2 Group Steam Boiler
24	MV-1083	Steam Boiler Hose Clamp



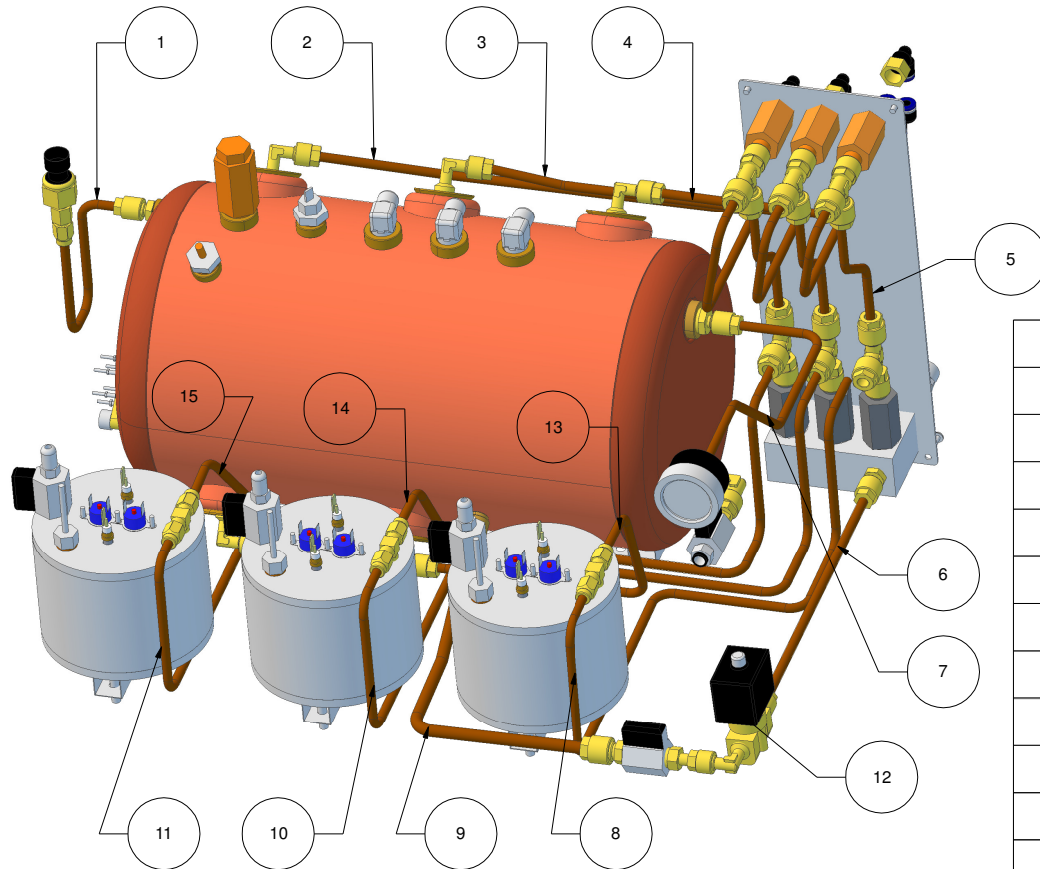
UCEM 1 GROUP STEAM BOILER



Item Number	Part Number	Part Name
1	MV-1049	Autofill Probe
2	MV-1255	3/8 JIC Steam Fitting
3	MV-1047	3/8 JIC Hot Water Fitting
4	MV-1091	Hot Water Dip Tube
5	MV-1051	1.8 Bar Pressure Relief Valve
6	MV-1093	3/8 x 1/8 Straight Serto Fitting
7	MV-1087	Steam Boiler Gauge
8	MV-1046	Purge Valve
9	MV-1063	1/4 Copper Washer
10	MV-1070	1/4 x 1/8 Straight Serto Fitting
11	MV-1050	3/8 Copper Washer
12	MV-1243	Pressure Transducer
13	HW-8mm x 1.25mm x 16mm	Heating Element Bolt
14	MV-1079	Heating Element Gasket
15	MV-1078-1	2700W Heating Element
16	MV-1064	1/4 x 1/8 Elbow Serto Fitting
17	MV-1190	Left Steam Boiler Mounting
18	MV-1191	Right Steam Boiler Mounting
19	MV-1038	1/4 x 6mm Push In Fitting
20	MV-1205	3/8 x 1/4 Elbow Serto Fitting
21	MV-1162	1/4 Swivel Serto Fitting
22	MV-1168	1/4 Shutoff Valve FF
23	MV-1044-1	1 Group Steam Boiler
24	MV-1083	Steam Boiler Clamp
25	MV-1077	1/4 Boiler Plug



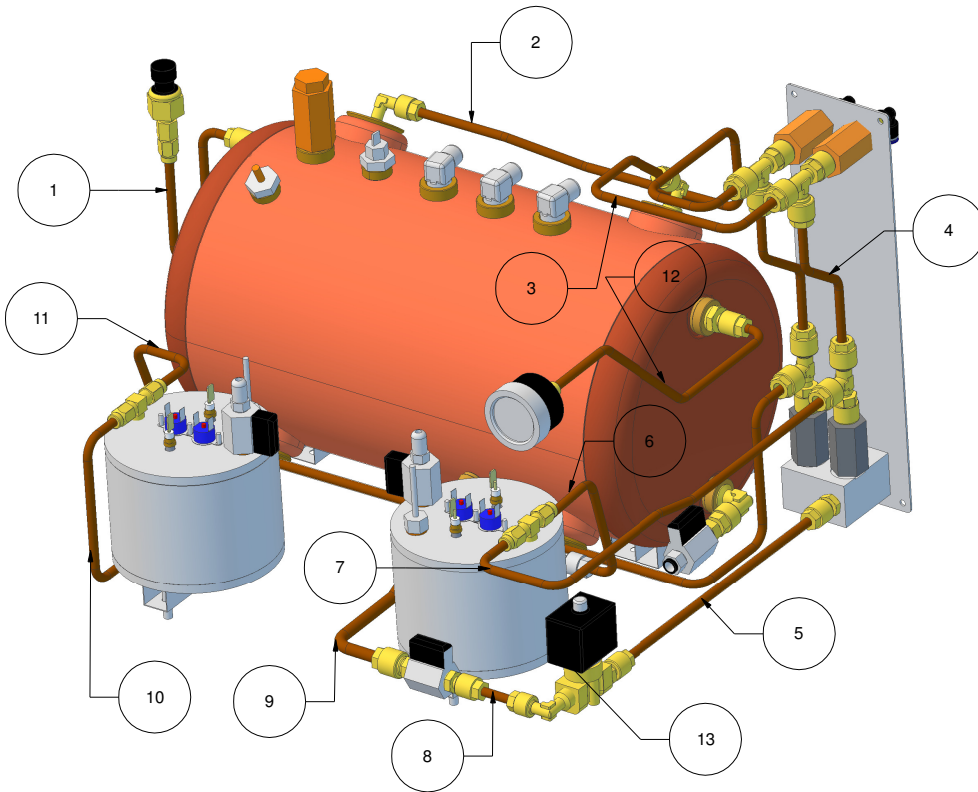
UCEM 3 GROUP BOILER UNIT PIPES



Item Number	Part Number	Part Name
1	MV-1179	Pressure Tube
2	MV-1218	Group 1 HX IN 3
3	MV-1221	Group 2 HX IN 3
4	MV-1224	Group 3 HX IN 3
5	MV-1188	S Manifold
6	MV-1184	Autofill Straight
7	MV-1217	3 Group Steam Gauge
8	MV-1226	Group 3 Mixing 3
9	MV-1216	Autofill 3 Group 8mm
10	MV-1223	Group 2 Mixing 3
11	MV-1220	Group 1 Mixing 3
12	MV-1164	Autofill 24v DC
13	MV-1225	Group 3 HX Out
14	MV-1222	Group 2 HX Out
15	MV-1219	Group 1 HX Out



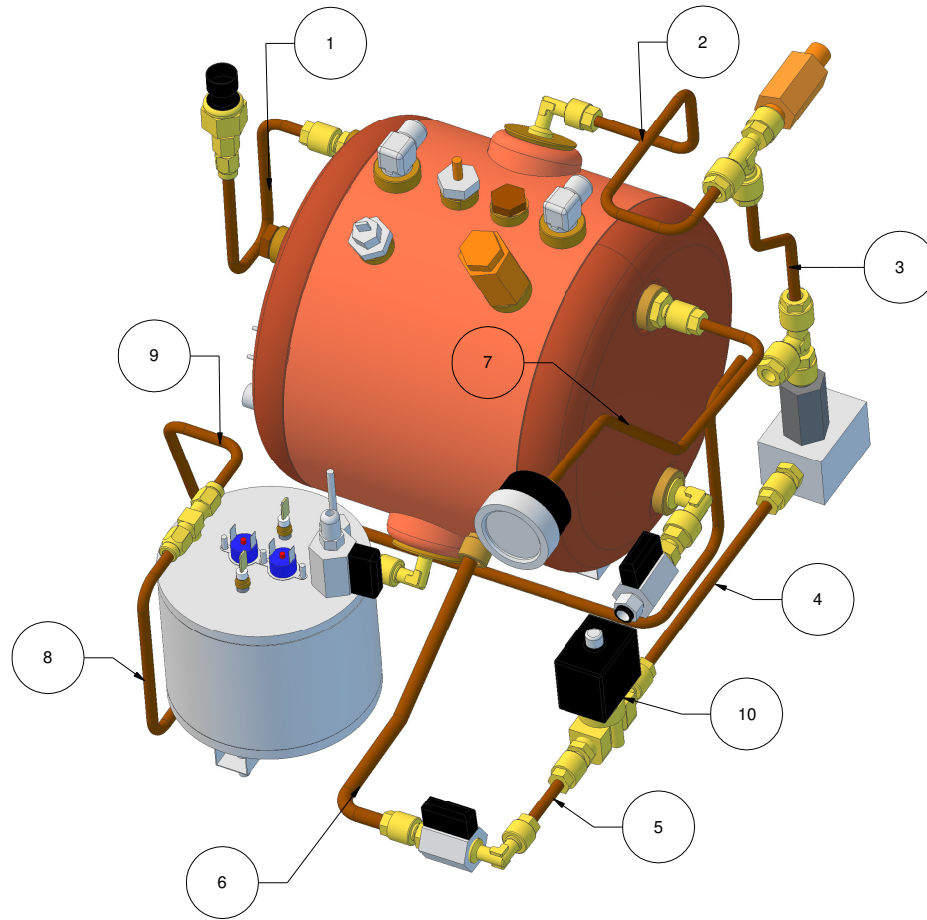
UCEM 2 GROUP BOILER UNIT PIPES



Item Number	Part Number	Part Name
1	MV-1179	Pressure Tube
2	MV-1186	Group 1 HX IN
3	MV-1187	Group 2 HX IN
4	MV-1188	S Manifold
5	MV-1184	Autofill Straight 2 Group
6	MV-1182	Group 2 HX Out
7	MV-1183	Group 2 Mixing
8	MV-1176	1.5" Autofill
9	MV-1178	2 Group Autofill 8mm
10	MV-1181	Group 1 Mixing
11	MV-1180	Group 1 HX Out
12	MV-1185	2 Group Steam Gauge
13	MV-1164	Autofill 24v DC



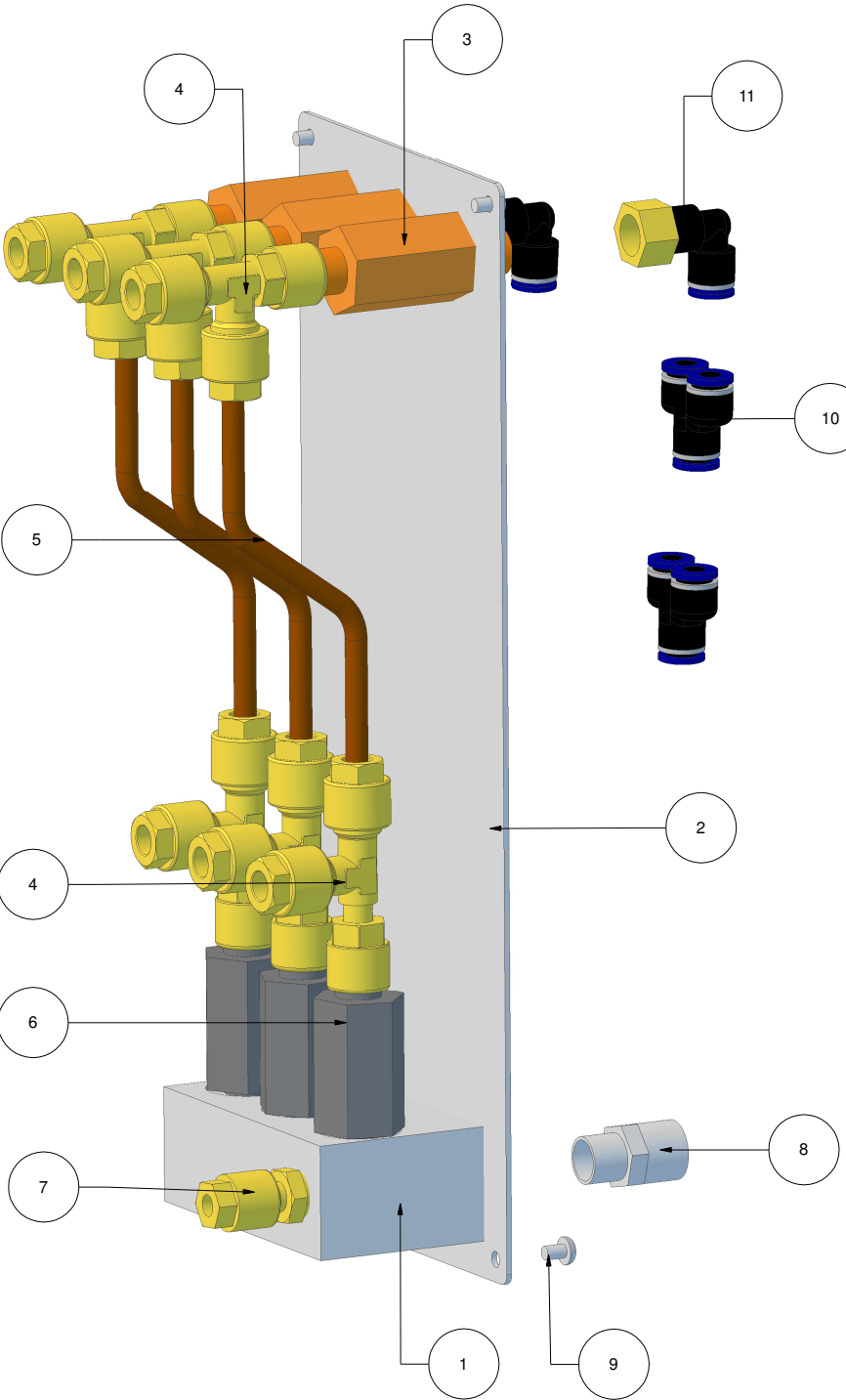
UCEM 1 GROUP BOILER UNIT PIPES



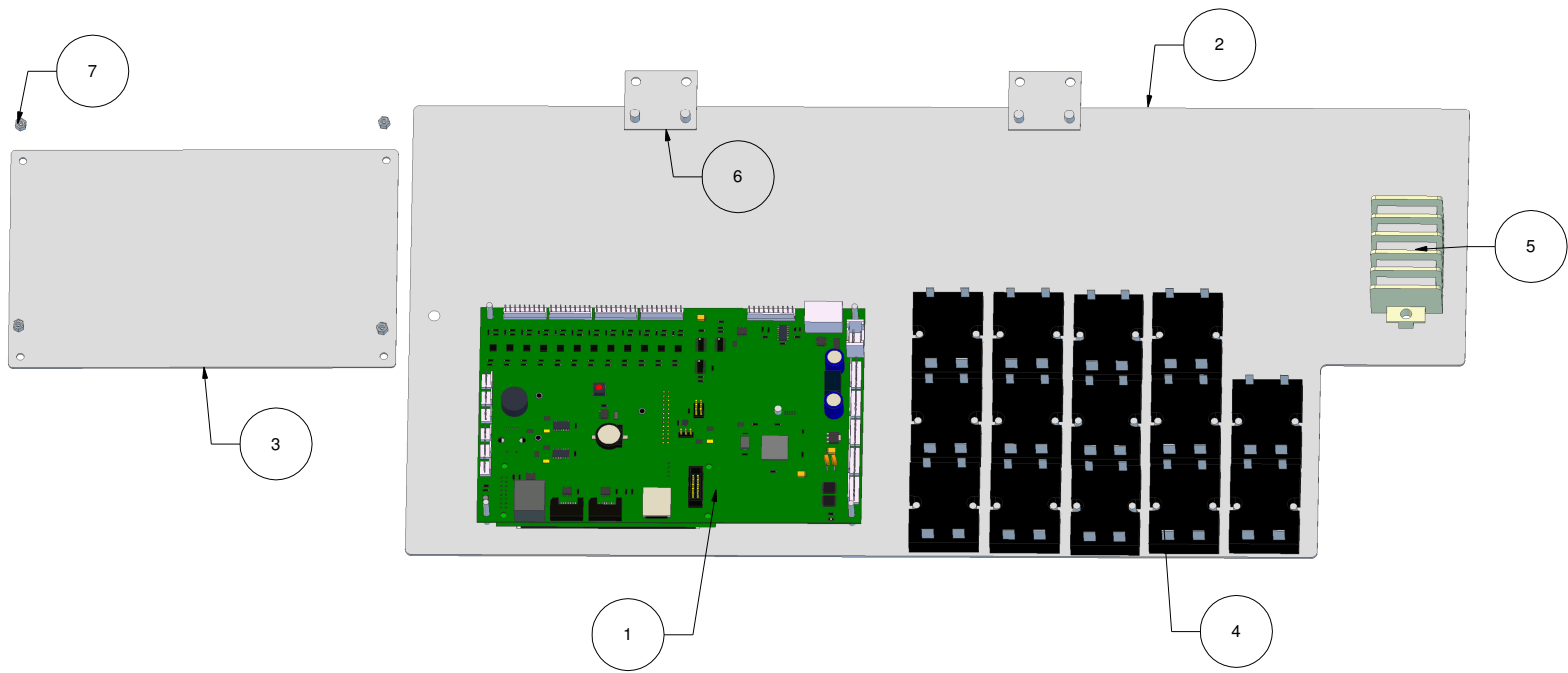
Item Number	Part Number	Part Name
1	MV-1179	Pressure Stat Tube
2	MV-1213	Group 1 HX IN
3	MV-1188	S Manifold
4	MV-1212	Autofill Straight 1 Group
5	MV-1176	Autofill 1.5"
6	MV-1178	Autofill 1 Group 8mm
7	MV-1185	Steam Gauge
8	MV-1215	Group 1 Mixing
9	MV-1214	Group 1 HX Out
10	MV-1164	Autofill 24v DC



UCEM 1, 2 and 3 Group Hydraulic Manifold



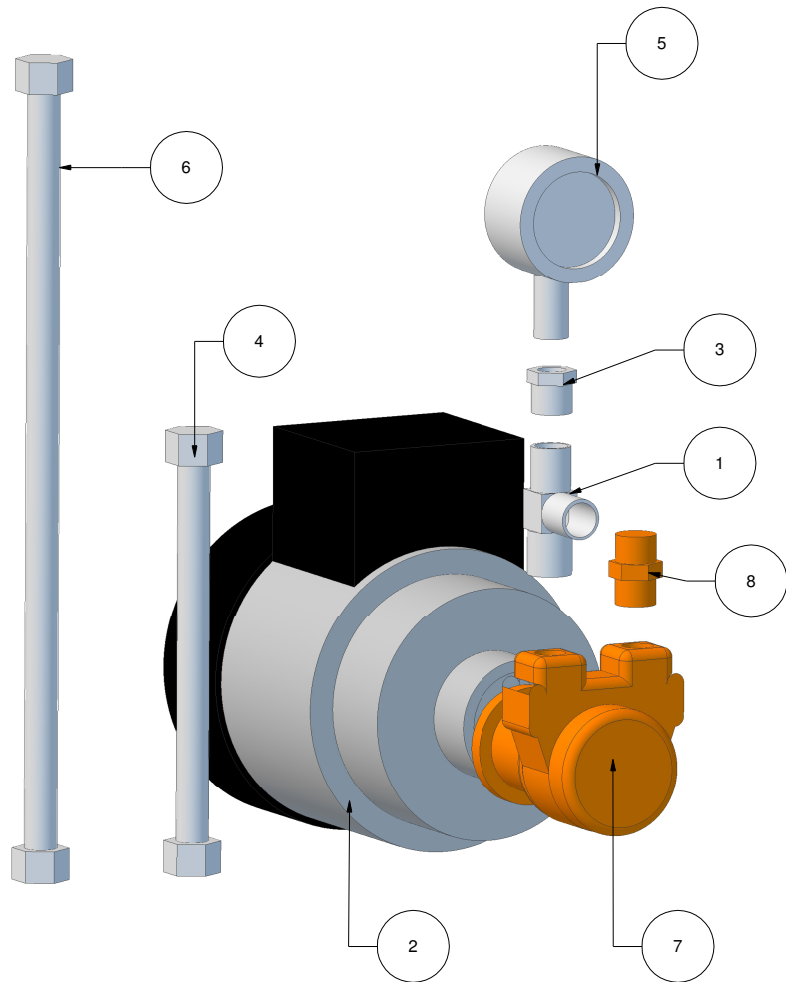
Item Number	Part Number	Part Name
1	MV-1066-3	Incoming Water Block 3 Group
1	MV-1066	Incoming Water Block 2 Group
1	MV-1066-1	Incoming Water Block 1 Group
2	MV-1201-3	Hydraulic Manifold 3 Group Sheet Metal
2	MV-1201-2	Hydraulic Manifold 2 Group Sheet Metal
3	MV-1067	Expansion Valve
4	MV-1113	1/4 Serto Adjustable Tee
5	MV-1188	S Manifold
6	MV-1068	Check Valve
7	MV-1070	1/4 x 6mm Straight Fitting
8	MV-1092	Incoming Water Fittings
9	MV-1109	4mm Bottom Head Screw
10	MV-1256	Y- Connector 6mm
11	MV-1161	Expansion Valve 1/4 x 6mm Elbow



Quantity	Part Number	Part Name
1	MV-1245-3	PCB BU 3 Group
1	MV-1245-2	PCB BU 2 Group
1	MV-1244	PCB BU 1 Group
2	MV-1043-3	Relay Board Sheet Metal 3 Group
2	MV-1043-2	Relay Board Sheet Metal 2 Group
2	MV-1043-1	Relay Board Sheet Metal 1 Group
3	MV-1257	PCB Cover 2-3 Group
3	mv-1257-1	PCB Cover 1 Group
4	MV-1099	Solid State Relay 24v DC
5	MV-1060	Terminal Block
6	MV-1170	SS Hinge
7	HW-3mm x 0.5mm Nut	M3 Nut

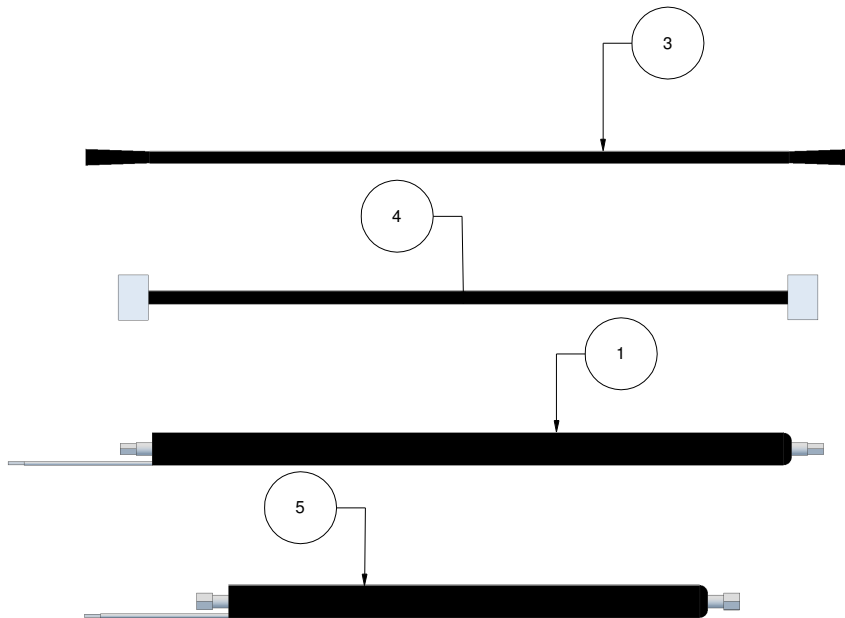


UCEM 1, 2 and 3 Group Relay Board Parts



UCEM PUMP UNIT

Item Number	Part Number	Part Name
1	MV-1106	Pump Tee
2	MV-1101	Pump Motor
3	MV-1105	Gauge Reducing Fitting
4	MV-1103-2FT	Incoming Supply Hose
5	MV-1107	Pump Gauge
6	MV-1103-5FT	Outgoing Supply Hose
7	MV-1100	Pump Head
8	MV-1104	Incoming Water Pump Fitting



UCEM HOSE and CONNECTION CABLES

Item Number	Part Number	Part Name
1	MV-6FTHH	Heated Brew Hose 6ft
3	MV-1264-1	High Voltage Cable 1 Group
3	MV-1264	High Voltage Cable 2-3 Group
4	MV-1262-1	Low Voltage Cable 1 Group
4	MV-1262-2	Low Voltage Cable 2 Group
4	MV-1262-3	Low Voltage Cable 3 Group
5	MV-4FTHSH	Heated Steam Hose